

FLOAT KIT INSTALLATION INSTRUCTIONS



⚠ WARNING

ELECTRICAL SHOCK HAZARD

Disconnect power before installing or servicing this product. A qualified service person must install and service this product according to applicable electrical and plumbing codes.



⚠ WARNING

EXPLOSION OR FIRE HAZARD

Do not use this product with flammable liquids. Do not install in hazardous locations as defined by National Electrical Code, ANSI/NFPA 70.



Failure to follow these precautions could result in serious injury or death. Replace product immediately if switch cable becomes damaged or severed. Keep these instructions with warranty after installation. This product must be installed in accordance with National Electric Code, ANSI/NFPA 70 so as to prevent moisture from entering or accumulating within boxes, conduit bodies, fittings, float housing, or cable.

FLOAT KIT

- (4) Blue Cap Control Switches
 - Normally open contacts, rated at 1A, 125V max.
 - 50 ft. flexible SJOW water resistant cable
- (4) PVC coated cable weights with lock
- (1) 4-position stainless steel hanging bracket

OPTIONAL FLOATS

- Blue Cap Control Switches
 - Normally open contacts, rated at 1A, 125V max
 - Available in 50, 75, and 100 foot cable lengths
- Red Cap Control Switches
 - Normally closed contacts, rated at 1A, 125V max
 - Available in 50, 75, and 100 foot cable lengths
- Green Cap Control Switches
 - SPDT contacts, rated at 1A, 125V max
 - Can be wired to work in either normally open or normally closed applications
 - Available in 50, 75, and 100 foot cable lengths

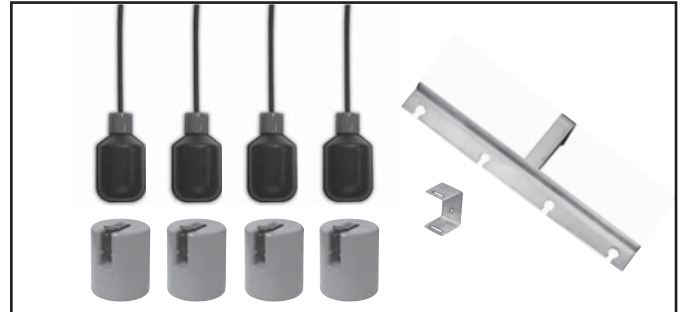
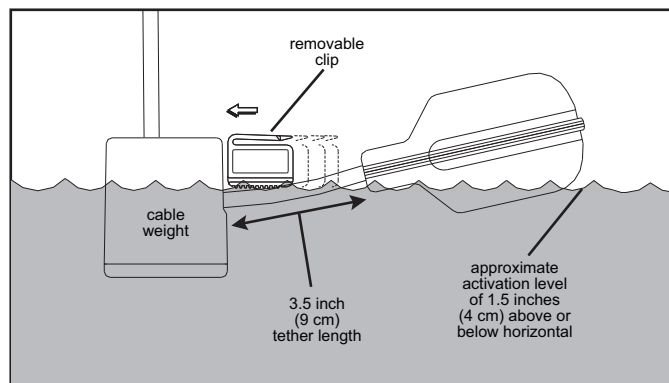
CABLE WEIGHTS

1. Determine desired activation level.
2. Suspend float switch and cable weight at desired activation level as shown in Figure E (typical).
3. Connect float switch wires according to Figure D.
4. Check installation. Allow system to cycle to insure proper operation.

To adjust cable weight tether length:

1. Release clip.
2. Adjust tether length to 3.5 inches as shown in Figure A.
3. Snap clip snugly up to cable, moving clip to tightest possible position.

FIGURE A



FLOAT BRACKET

1. Drill holes in mounting surface 1-5/16 inches apart vertically.
2. Install the mounting bracket to the mounting surface using two fasteners shown in Figure B.
NOTE: Use stainless steel fasteners appropriate for the mounting surface.
3. Snap the cord lock onto the cable shown in Figure B.
4. Drop the cord lock and cord into the top side of a desired hole in the float bracket as shown in Figure C.
5. Adjust the cord to the proper length, so that activation occurs at the desired level.
6. To lock the cord in place, turn the cord lock clockwise as shown in Figure C.
7. Slide the float bracket into the mounting bracket slots as shown in Figure C.
8. Confirm the float cords are set at a proper height to insure correct activation/deactivation levels.

FIGURE B

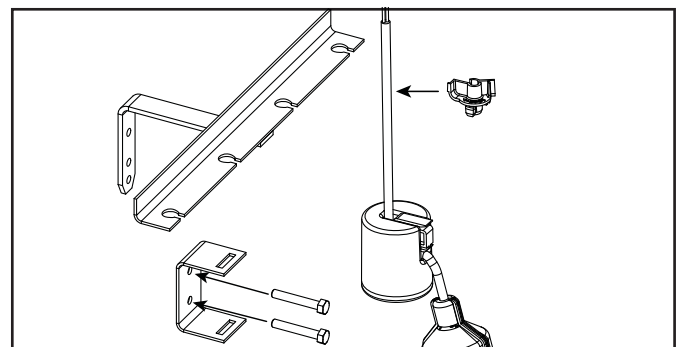


FIGURE C

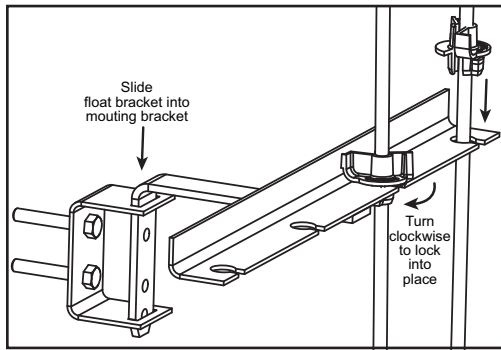
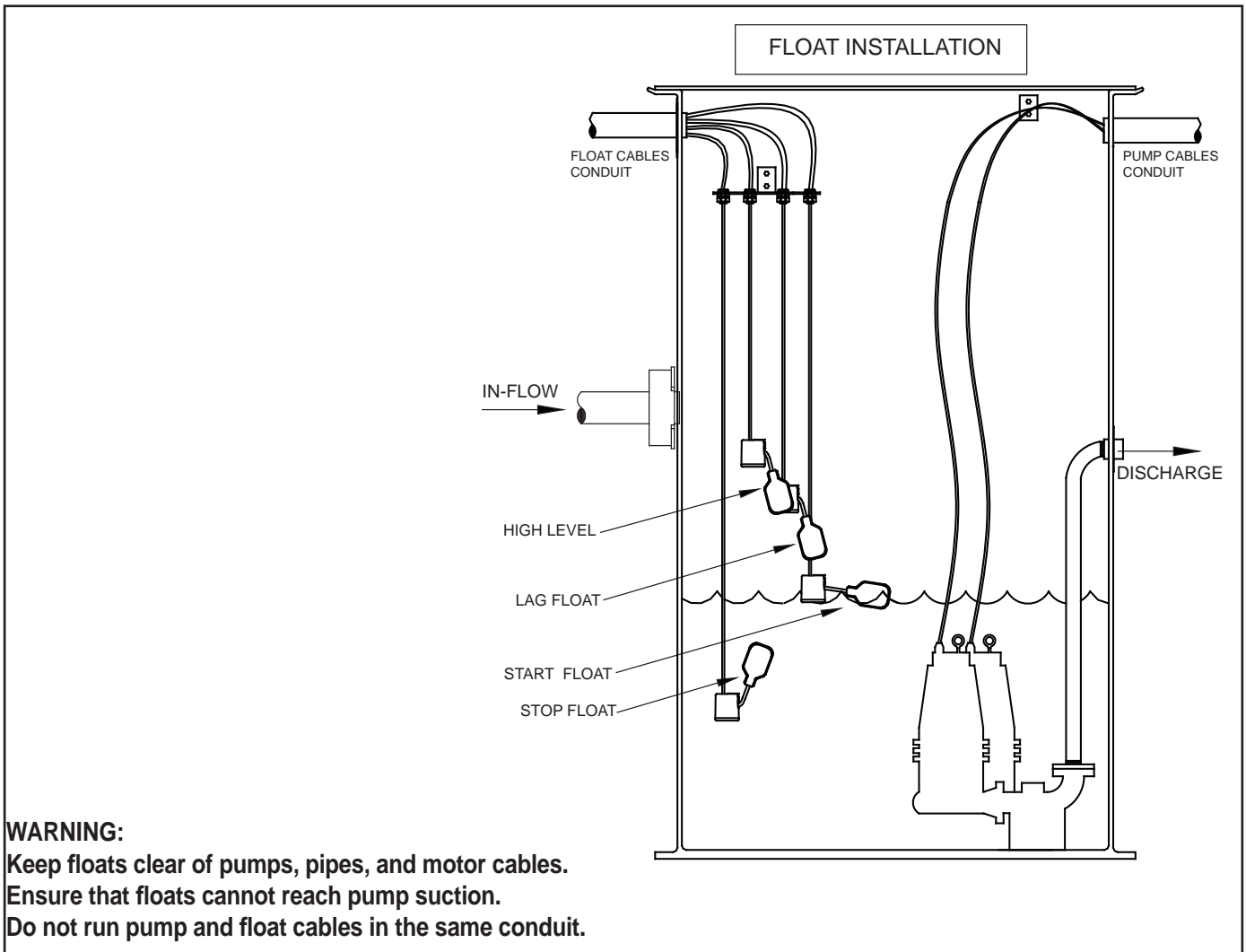


FIGURE D

Blue Cap or Red Cap		Green Cap (SPDT) Only	
		Normally Closed	Normally Open
<p>CONNECTIONS MADE IN DRY JUNCTION BOX</p> <p>POWER SOURCE: G, L2, L1</p> <p>LOAD: G, L2, L1</p>	<p>CONNECTIONS MADE IN DRY JUNCTION BOX</p> <p>POWER SOURCE: G, L2, L1</p> <p>LOAD: G, L2, L1</p> <p>Note: Insulate black wire on SPDT models</p>	<p>CONNECTIONS MADE IN DRY JUNCTION BOX</p> <p>POWER SOURCE: G, L2, L1</p> <p>LOAD: G, L2, L1</p> <p>Note: Insulate red wire on SPDT models</p>	
<p>⚠ WARNING</p> <p>In 230 VAC installations, one side of the line going to the load is always HOT. This condition exists if the switch is on or off. Install double pole disconnect on all 230 VAC circuits.</p> <p>On SPDT Models, insulate unused red or black wires with wire nut. Wire can become electrically hot.</p> <p>Ensure cable connections are performed in a dry junction box or other watertight seal that seals both conductors and cable jacket. Failure to do so could result in electrical shock hazard and/or water traveling down cable and entering the switch. Failure to guard against this may affect switch performance.</p>			

FIGURE E (typical float set up for a duplex lift station)



PREVENTATIVE MAINTENANCE

- Periodically inspect the product. Check that the cable has not become worn or that the housing has not been damaged so as to impair the protection of the product. Replace the product immediately if any damage is found or suspected.
- Periodically check to see that the float is free to move and operate the switch.
- Use only PRIMEX™ replacement parts.